

# A Simple Matrix Factorization Approach to Fast Hadamard Transform

(單純한 매트릭스階乘接近에 의한 고속 아다마르變換)

李 門 浩\*

(Moon Ho Lee)

## 要 約

本論文은 Hadamard 變換의 고속 알고리즘을開發하기 위해單純한階乘 Hadamard 매트릭스를 제시했다. 이分解된 매트릭스는아이덴티티 매트릭스와 바로 앞단의階乘된 Hadamard 매트릭스의 크로네킨積에 의해表示된다. 여기서 Hadamard 매트릭스가 크로네킨積 및階乘 매트릭스 方法에 의해效率적으로 나타낼 수 있음을數學적으로證明했다.

## Abstract

This paper presents a simple factorization of the Hadamard matrix which is used to develop a fast algorithm for the Hadamard transform. This matrix decomposition is of the kronecker products of identity matrices and successively lower order Hadamard matrices.

This following shows how the Kronecker product can be mathematically defined and efficiently implemented using a factorization matrix methods.

## I. Introduction

The Hadamard transform has recently been applied in digital communication, the transmission of digital images, and also in pattern recognition for image processing and feature extraction.<sup>[1] [5] [7]</sup>

The elements of a Hadamard matrix take on values of plus and minus 1 only. This leads to simple implementation with electronic technology and simplifies the analysis by digital computer.

Furthermore, FHT can be used by factoring the Hadamard matrix.<sup>[1] [2]</sup> This in turn

reduces the number of required operation and provides a faster computer implementation.

This paper introduces a basic Hadamard matrix partition and then successive Kronecker product.<sup>[3] [4]</sup> The result of this method was easily shown to be the sparse matrix.<sup>[4] [6]</sup>

## II. FHT Development

It is well known that the matrix factorization method has long been established.<sup>[3]</sup> Generally, to achieve (In place) computation, the existing methods require a shuffle right after each operation has been performed.

In order to apply the FHT directly on the lower Hamadard matrix ( $[H]_2$ ) decomposition and still retain the property by Kronecker product use the following definition.

---

\*正會員, 全北大學校 電子工學科  
(Dept. of Elec. Eng., Chonbuk National Univ.)  
接受日字: 1986年 5月 15日

$$\text{def 1. } [H]_1 = [1], [H]_2 = \begin{bmatrix} + & + \\ + & - \end{bmatrix} \quad (1)$$

$$\text{def 2. } [1]_1 = [1], [1]_2 = \begin{bmatrix} + & 0 \\ 0 & + \end{bmatrix} \quad (2)$$

The Hadamard matrix is represented by the sign for the matrix decomposition.

$$[H]_2 = \begin{bmatrix} + & + \\ + & - \end{bmatrix} = \begin{bmatrix} + & 0 \\ 0 & + \end{bmatrix} \begin{bmatrix} + & + \\ + & - \end{bmatrix} \\ = [I]_2 [H]_2 = [H]_2 [I]_2 \quad (3)$$

where + and - indicate +1 and -1, respectively.

$$[H]_4 = \begin{bmatrix} + & + & + & - \\ - & - & + & - \\ + & + & - & - \\ - & - & - & + \end{bmatrix} = \begin{bmatrix} + & + \\ + & - \end{bmatrix} \times \begin{bmatrix} + & 0 \\ 0 & + \end{bmatrix} \times \begin{bmatrix} + & 0 \\ 0 & - \end{bmatrix} \times \begin{bmatrix} + & + \\ + & - \end{bmatrix} \\ = [H]_2 \times [I]_2 \times [I]_2 \times [H]_2 \\ = ([H]_2 [I]_2) \times ([I]_2 [H]_2) \quad (4)$$

or

$$\begin{bmatrix} + & + & + & + \\ + & - & + & - \\ - & + & - & - \\ - & - & - & + \end{bmatrix} = \begin{bmatrix} + & 0 & + & 0 \\ 0 & + & 0 & + \\ + & 0 & - & 0 \\ 0 & + & 0 & - \end{bmatrix} \begin{bmatrix} + & + & 0 & 0 \\ + & - & 0 & 0 \\ 0 & 0 & + & + \\ 0 & 0 & + & - \end{bmatrix} \quad (5)$$

$$[H]_8 = [H]_2 \times [I]_2 \times [I]_2 \times [I]_2 \times [H]_4 \\ = [H]_2 \times [I]_2^{[2]} \times [I]_2 \times [H]_2 \times [I]_2 \times [I]_2^{[2]} \\ \times [H]_2$$

$$= \begin{bmatrix} + & + \\ + & - \end{bmatrix} \times \begin{bmatrix} - & 0 \\ 0 & + \end{bmatrix} \times \begin{bmatrix} + & 0 \\ 0 & + \end{bmatrix} \times \begin{bmatrix} + & 0 \\ 0 & + \end{bmatrix} \times \begin{bmatrix} + & + \\ + & - \end{bmatrix} \times \begin{bmatrix} + & 0 \\ 0 & + \end{bmatrix} \\ \times \begin{bmatrix} + & 0 \\ 0 & - \end{bmatrix} \times \begin{bmatrix} + & 0 \\ 0 & - \end{bmatrix} \times \begin{bmatrix} + & + \\ + & - \end{bmatrix} \\ = \begin{bmatrix} - & 0 & + & 0 \\ 0 & + & 0 & + \\ + & 0 & - & 0 \\ 0 & + & 0 & - \end{bmatrix} \times \begin{bmatrix} + & 0 \\ 0 & + \end{bmatrix} \times \begin{bmatrix} + & + & 0 & 0 \\ - & - & 0 & 0 \\ 0 & 0 & + & + \\ 0 & 0 & + & - \end{bmatrix} \times \begin{bmatrix} + & 0 \\ 0 & + \end{bmatrix} \\ \times \begin{bmatrix} + & 0 & 0 & 0 \\ 0 & + & 0 & 0 \\ 0 & 0 & + & 0 \\ 0 & 0 & 0 & + \end{bmatrix} \times \begin{bmatrix} + & + \\ + & - \end{bmatrix} \quad (6)$$

and then

$$\begin{bmatrix} + & + & + & + & + & + & + & + \\ + & - & + & - & + & - & + & - \\ + & + & - & - & + & + & - & - \\ + & - & - & + & + & - & - & + \\ + & + & + & + & - & - & - & - \\ + & - & + & - & - & - & + & + \\ + & + & - & - & - & - & + & + \\ + & - & - & + & - & - & + & + \end{bmatrix} = \begin{bmatrix} - & 0 & 0 & 0 & + & 0 & 0 & 0 \\ 0 & + & 0 & 0 & 0 & + & 0 & 0 \\ 0 & 0 & + & 0 & 0 & 0 & 0 & + \\ 0 & 0 & 0 & + & 0 & 0 & 0 & + \\ + & 0 & 0 & 0 & - & 0 & 0 & 0 \\ 0 & + & 0 & 0 & 0 & - & 0 & 0 \\ 0 & 0 & + & 0 & 0 & 0 & - & 0 \\ 0 & 0 & 0 & + & 0 & 0 & 0 & - \end{bmatrix} \times$$

$$\begin{bmatrix} + & 0 & + & 0 \\ 0 & + & 0 & + \\ + & 0 & - & 0 \\ 0 & + & 0 & - \\ & & + & 0 & + & 0 \\ & & 0 & + & 0 & + \\ & & + & 0 & - & 0 \\ & & 0 & + & 0 & - \end{bmatrix} \times \begin{bmatrix} + & + & 0 & 0 \\ + & - & 0 & 0 \\ & & 0 & 0 & + & + \\ & & 0 & 0 & + & - \\ & & & & + & + & 0 & 0 \\ & & & & + & - & 0 & 0 \\ & & & & 0 & 0 & + & + \\ & & & & 0 & 0 & + & - \end{bmatrix} \quad (7)$$

$$[H]_{16} = [H]_2 \otimes [I]_2^{[2]} \otimes [I]_2 \times [I]_2 \otimes [H]_8 = [H]_2 \otimes [I]_2^{[2]} \otimes [I]_2 \times [I]_2 \otimes [H]_2 \otimes [I]_2^{[2]} \times [I]_2^{[2]} \otimes [H]_2 \otimes [I]_2 \times [I]_2^{[2]} \otimes [I]_2 \otimes [H]_2 \quad (8)$$

where  $[I]_n$  is the identity matrix of order  $(n \times n)$ , which leads directly to the fast Algorithm.

and

$$[H]_{16} = \begin{bmatrix} + & + \\ + & - \end{bmatrix} \otimes \begin{bmatrix} + & 0 \\ 0 & + \end{bmatrix}^{[2]} \otimes \begin{bmatrix} + & 0 \\ 0 & + \end{bmatrix} \times \begin{bmatrix} + & 0 \\ 0 & + \end{bmatrix} \otimes \begin{bmatrix} + & + \\ + & - \end{bmatrix} \otimes \begin{bmatrix} + & 0 \\ 0 & + \end{bmatrix}^{[2]} \\ \times \begin{bmatrix} + & 0 \\ 0 & + \end{bmatrix}^{[2]} \otimes \begin{bmatrix} + & + \\ + & - \end{bmatrix} \otimes \begin{bmatrix} + & 0 \\ 0 & + \end{bmatrix} \times \begin{bmatrix} + & 0 \\ 0 & + \end{bmatrix}^{[2]} \otimes \begin{bmatrix} + & 0 \\ 0 & + \end{bmatrix} \otimes \begin{bmatrix} + & + \\ + & - \end{bmatrix} \quad (9)$$

$$[H]_8 \otimes [H]_2 = \begin{bmatrix} + & 0 & 0 & 0 & 0 & 0 & 0 & + & 0 & 0 & 0 & 0 & 0 & 0 & 0 \\ 0 & + & 0 & 0 & 0 & 0 & 0 & 0 & 0 & + & 0 & 0 & 0 & 0 & 0 \\ 0 & 0 & + & 0 & 0 & 0 & 0 & 0 & 0 & 0 & + & 0 & 0 & 0 & 0 \\ 0 & 0 & 0 & + & 0 & 0 & 0 & 0 & 0 & 0 & 0 & 0 & + & 0 & 0 \\ 0 & 0 & 0 & 0 & + & 0 & 0 & 0 & 0 & 0 & 0 & 0 & 0 & + & 0 \\ 0 & 0 & 0 & 0 & 0 & + & 0 & 0 & 0 & 0 & 0 & 0 & 0 & 0 & + \\ + & 0 & 0 & 0 & 0 & 0 & 0 & 0 & - & 0 & 0 & 0 & 0 & 0 & 0 \\ 0 & + & 0 & 0 & 0 & 0 & 0 & 0 & 0 & - & 0 & 0 & 0 & 0 & 0 \\ 0 & 0 & + & 0 & 0 & 0 & 0 & 0 & 0 & 0 & 0 & - & 0 & 0 & 0 \\ 0 & 0 & 0 & + & 0 & 0 & 0 & 0 & 0 & 0 & 0 & 0 & - & 0 & 0 \\ 0 & 0 & 0 & 0 & + & 0 & 0 & 0 & 0 & 0 & 0 & 0 & 0 & - & 0 \\ 0 & 0 & 0 & 0 & 0 & + & 0 & 0 & 0 & 0 & 0 & 0 & 0 & 0 & - \end{bmatrix} \times$$

$$\begin{pmatrix}
 + & 0 & 0 & 0 & + & 0 & 0 & 0 \\
 0 & + & 0 & 0 & 0 & + & 0 & 0 \\
 0 & 0 & + & 0 & 0 & 0 & + & 0 \\
 0 & 0 & 0 & + & 0 & 0 & 0 & + \\
 + & 0 & 0 & 0 & - & 0 & 0 & 0 \\
 0 & + & 0 & 0 & 0 & - & 0 & 0 \\
 0 & 0 & + & 0 & 0 & 0 & - & 0 \\
 0 & 0 & 0 & + & 0 & 0 & 0 & -
 \end{pmatrix} \times \begin{pmatrix}
 + & 0 & 0 & 0 & + & 0 & 0 & 0 \\
 0 & + & 0 & 0 & 0 & + & 0 & 0 \\
 0 & 0 & + & 0 & 0 & 0 & + & 0 \\
 0 & 0 & 0 & + & 0 & 0 & 0 & + \\
 + & 0 & 0 & 0 & - & 0 & 0 & 0 \\
 0 & + & 0 & 0 & 0 & - & 0 & 0 \\
 0 & 0 & + & 0 & 0 & 0 & - & 0 \\
 0 & 0 & 0 & + & 0 & 0 & 0 & -
 \end{pmatrix}$$

$$\begin{pmatrix}
 + & 0 & + & 0 & 0 & 0 & 0 & 0 \\
 0 & + & 0 & + & 0 & 0 & 0 & 0 \\
 + & 0 & - & 0 & 0 & 0 & 0 & 0 \\
 0 & + & 0 & - & + & 0 & 0 & 0 \\
 0 & 0 & 0 & 0 & 0 & + & 0 & + \\
 0 & 0 & 0 & 0 & 0 & 0 & + & 0 \\
 0 & 0 & 0 & 0 & 0 & + & 0 & - \\
 0 & 0 & 0 & 0 & 0 & 0 & + & 0
 \end{pmatrix} \times \begin{pmatrix}
 + & 0 & + & 0 & 0 & 0 & 0 & 0 \\
 0 & + & 0 & + & 0 & 0 & 0 & 0 \\
 + & 0 & - & 0 & 0 & 0 & 0 & 0 \\
 0 & + & 0 & - & + & 0 & 0 & 0 \\
 0 & 0 & 0 & 0 & 0 & + & 0 & + \\
 0 & 0 & 0 & 0 & 0 & 0 & + & 0 \\
 0 & 0 & 0 & 0 & 0 & + & 0 & - \\
 0 & 0 & 0 & 0 & 0 & 0 & + & 0
 \end{pmatrix}$$

$$\begin{pmatrix}
 + & + & 0 & 0 & 0 & 0 & 0 & 0 \\
 + & - & 0 & 0 & 0 & 0 & 0 & 0 \\
 0 & 0 & + & + & 0 & 0 & 0 & 0 \\
 0 & 0 & + & - & 0 & 0 & 0 & 0 \\
 0 & 0 & 0 & 0 & + & + & 0 & 0 \\
 0 & 0 & 0 & 0 & 0 & + & - & 0 \\
 0 & 0 & 0 & 0 & 0 & 0 & 0 & + \\
 0 & 0 & 0 & 0 & 0 & 0 & + & -
 \end{pmatrix} \times \begin{pmatrix}
 + & + & 0 & 0 & 0 & 0 & 0 & 0 \\
 + & - & 0 & 0 & 0 & 0 & 0 & 0 \\
 0 & 0 & + & + & 0 & 0 & 0 & 0 \\
 0 & 0 & + & - & 0 & 0 & 0 & 0 \\
 0 & 0 & 0 & 0 & + & + & 0 & 0 \\
 0 & 0 & 0 & 0 & 0 & + & - & 0 \\
 0 & 0 & 0 & 0 & 0 & 0 & 0 & + \\
 0 & 0 & 0 & 0 & 0 & 0 & + & -
 \end{pmatrix}$$

Then, letting  $[H]_N$  represent the sparse matrix order  $N(n=\log_2 N)$ , the recursive relationship is given by the expression:

$$[H]_N = [H]_2 \otimes [I]_2 \otimes [I]_2 \otimes \dots \otimes [I]_2 \times [I]_2 \otimes [H]_{N/2} \tag{11}$$

$$= ([H]_2 \otimes [I]_{N/2}) ([I]_2 \otimes [H]_{N/2})$$

The proof of (11) is very simple. Using the algebra of Kronecker product we have

$$[H]_N = [H]_2 \otimes [H]_{N/2} \tag{12}$$

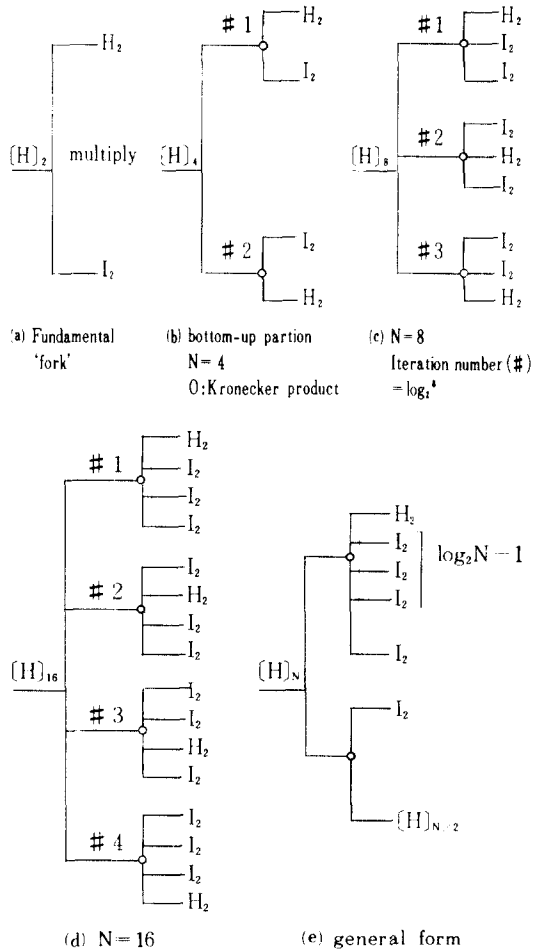
$$[H]_N = ([H]_2 \otimes [I]_{N/2}) ([I]_2 \otimes [H]_{N/2})$$

$$= ([H]_2 [I]_2) \otimes ([I]_{N/2} [H]_{N/2})$$

$$= [H]_2 \otimes [H]_{N/2} \tag{13}$$

From (12), the right hand side of (13) is just  $[H]_N$  and the proof is complete.

The proposed method is based on matrix decomposition and 'fork' form in Fig. 1.



(10)

Fig. 1. Sparse matrix of FHT by kronecker product.

The procedure getting the sparse matrix of the FHT can now be summarized as follows; Step1: Search the lower order of the Hadamard sparse matrix  $[H]_2$ ,  $[I]_2$  and iteration number (#).

Step 2: Multiply the Kronecker product by the lower Hadamard Sparse matrix, according to the iteration number.

Step 3: In general, multiply Kronecker product  $[H]_2$ ,  $[I]_{N/2}$  by  $[I]_2$ ,  $[H]_{n/2}$  according to iteration number.

The simple recursive relationship in (11) can now be used to formulate a sparse-matrix decomposition of  $[H]_N$ . Expanding the second term in (11) with successively lower orders of the Hadamard matrix results in

$$[H]_N = \prod_{i=1}^k ([I]_i \otimes [H]_2 \otimes [I]_{N/2^i}). \tag{14}$$

Each matrix in the product form of (14) is sparse, in the sense that the i-th matrix has only two non-zero elements, +1 or -1, in each row and column. Thus the transform operation requires  $kN$  operations. For illustration  $[H]_8$  is depicted below according to the decomposition in (14).

$$[H]_8 \triangleq \begin{bmatrix} + & + & + & + & + & + & + & + \\ + & - & + & - & + & - & + & - \\ + & + & - & - & + & + & - & - \\ + & - & - & + & + & - & - & + \\ + & + & + & + & - & - & - & - \\ + & - & + & - & - & + & - & + \\ + & + & - & - & - & - & + & + \\ + & - & - & + & - & + & + & - \end{bmatrix} = \begin{bmatrix} + & 0 & 0 & 0 & + & 0 & 0 & 0 \\ 0 & + & 0 & 0 & 0 & + & 0 & 0 \\ 0 & 0 & + & 0 & 0 & 0 & 0 & + \\ 0 & 0 & 0 & + & 0 & 0 & 0 & + \\ + & 0 & 0 & 0 & - & 0 & 0 & 0 \\ 0 & + & 0 & 0 & 0 & - & 0 & 0 \\ 0 & 0 & + & 0 & 0 & 0 & - & 0 \\ 0 & 0 & 0 & + & 0 & 0 & 0 & - \end{bmatrix} \begin{bmatrix} + & + & 0 & 0 \\ + & - & 0 & 0 \\ 0 & 0 & + & + \\ 0 & 0 & + & - \\ & & + & 0 & + & 0 \\ 0 & & 0 & + & 0 & + \\ & & + & 0 & - & 0 \\ & & 0 & + & 0 & - \end{bmatrix}$$

### III. Conclusions

We have presented a simple method of developing a fast Hadamard transform algo-

rithm.

Most of the papers published to date, use a sparse matrix of basic  $[H]_4$  decomposition, but we showed here lower order of Hadamard  $[H]_2$  and then have represented them in general form.

This methods is presented for its simplicity and the clarity with which its decomposes a Hadamard matrix in terms of sparse matrices using Kronecker product.

### References

- [1] D.F. Elliott, K.R. Rao, *Fast Transforms Algorithms, Analysis., Applications.* Academic press, 1982.
- [2] Henry Y.L. Mar, C.L. Sheng, "Fast Hadamard Transform Using the H diagram", *IEEE Trans. Comput.* C-22, pp. 957-959, 1973.
- [3] Andrew H.C. and Caspari, K.L.: "A generalized Technique for Spectral Analysis", *IEEE. Trans. Comput.* C-19, pp. 16-25, 1970.
- [4] Moon Ho Lee, M. Kaveh, "The Center-Weighted Hadamard Transform", *IEEE. Trans. ASSP*, to be submitted.
- [5] R.C. Gonzalez, P. Wintz, *Digital Image Processing.* Addison-Wesley published company, 1977.
- [6] Dan E. Dudgeon, R.M. Mersereau, *Multidimensional Digital Signal Processing.* Prentice Hall, 1984.
- [7] Moon Ho Lee, *Image Singal Data Compression of Videophone Using Hadamard Transform.* Korean Electronics and Telecommunication Research Institute, project report, December 1985.
- [8] Moon Ho Lee, M. Kaveh, "FastHadamard Transform Based on a simple Matrix Factorization", *IEEE Trans. Acoust., Speech, Signal Processing*, vol. ASSP-34, Number 6, Dec., 1986.

### Acknowledgement

This work was supported in part by the Korean Science and Engineering Foundation.\*